

Submittal Data Sheet

Features

- Designed in accordance with NFPA 99.
- Rugged fiberglass NEMA 4 weather-tight enclosure with padlock staple to prevent tampering or unauthorized access (16”H x 14”W x 6”D).
- 1” NPTF oxygen inlet – supports high flow requirements (larger sizes available upon request).
- Entire assembly is cleaned for oxygen service and capped.
- Available with; side, bottom or back connection point.
- Includes a ¾” 75 psig safety relief valve.

Specification

The EOI-100 Powerex Emergency Inlet Box provides an inlet for connection a temporary auxiliary source of oxygen to the oxygen pipeline system for emergency or maintenance situations as recommended by NFPA 99.

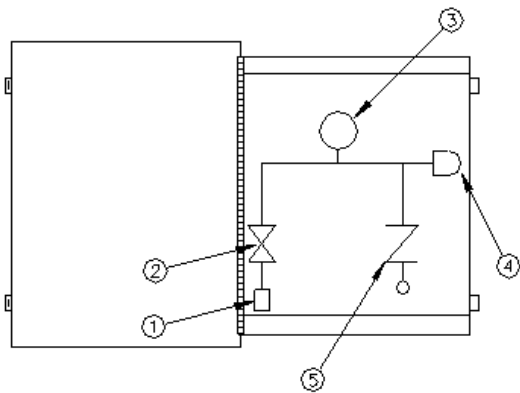
The EOI-100 Powerex Emergency Inlet Box consists of a 1” (25mm) ball valve, pressure gauge and a 1” NPTF (plugged) connection housed in a tamper resistant, weathertight, maintenance free, fiberglass enclosure. The enclosure is labeled “Emergency Low Pressure Gaseous Oxygen Inlet,” and includes a padlock staple to prevent tampering or unauthorized access. The EOI-100 Powerex Emergency Inlet Box should be connected at a point downstream of the main supply line shutoff valve.

A fast acting 1” check valve is included in the EOI-100 Powerex Emergency Inlet Box as recommended by NFPA 99. The check valve has a cast bronze body and straight – through design for minimum pressure drop.

A 75 psig relief valve is included in the EOI-100 Powerex Emergency Inlet Box as recommended by NFPA 99. The relief valve has a brass body, single seat design, and is cleaned for oxygen. The relief valve automatically opens to ‘relieve’ or vent pressures greater than 75 psig to atmosphere and will automatically reseal to provide a bubble tight seal after the pressure drops below 75 psig.

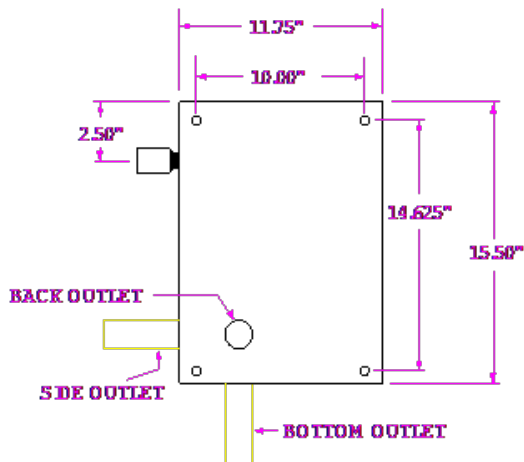
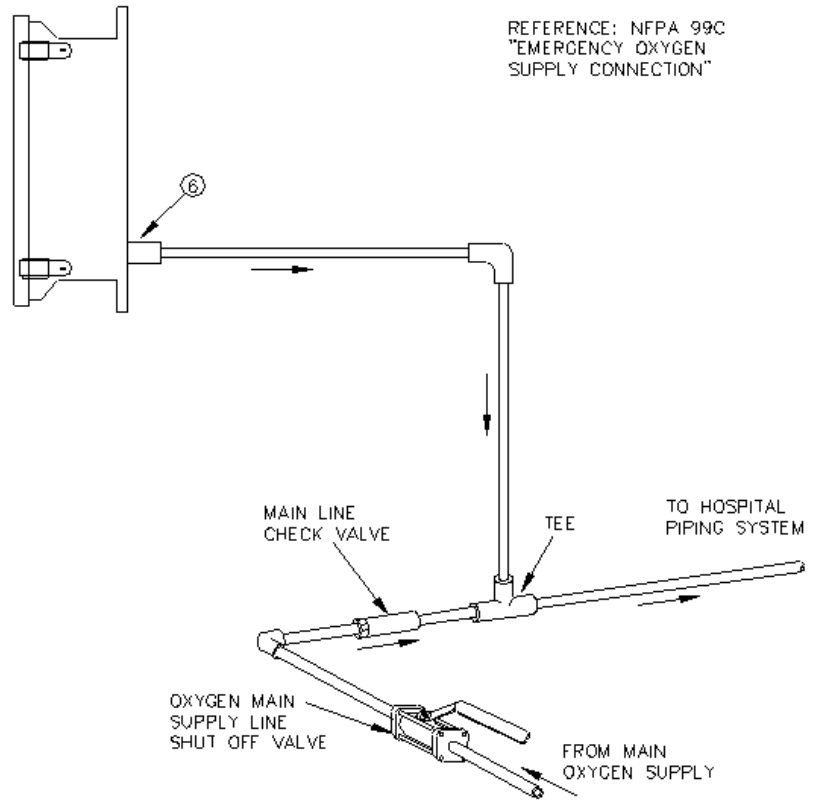


Model PX-EOI-100-Back shown above

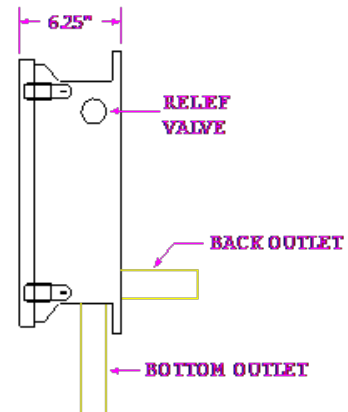


- 1) SUPPLY CONNECTION
- 2) SHUT OFF VALVE
- 3) 0-100 PSI GAUGE
- 4) PRESET PRESSURE RELIEF VALVE (75 PSI)
- 5) EMERGENCY LINE CHECK VALVE
- 6) EMERGENCY LINE OUTLET

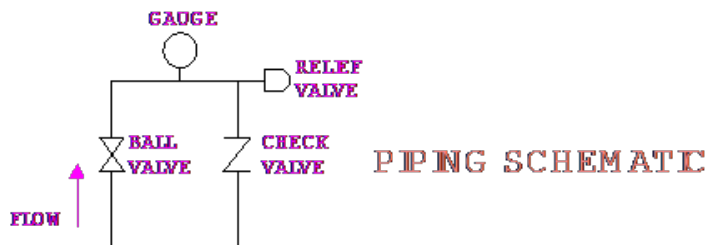
REFERENCE: NFPA 99C
"EMERGENCY OXYGEN
SUPPLY CONNECTION"



BACK VIEW



SIDE VIEW



PIPING SCHEMATIC