

Click-It™ Flowmeter



Allied's new Click-It flowmeters are designed for use with hospital and EMS oxygen and air delivery systems where a precisely metered supply of gas is required. Click-It flowmeters offer a wide range of highly accurate flow rates regardless of orientation or visibility.

Unlike traditional Thorpe tube flowmeters, Click-It flowmeters allow the user to simply dial in the desired flow rate. The precision-machined knob clicks securely into place with each selected liter per minute flow setting while allowing for easy adjustment even with gloved hands. Laser-etched flow indications are clearly marked, making them easy to read even in low light situations.

Click-It flowmeters come in a variety of configurations for all common medical applications:

- Available in oxygen and air
- Available in 25, 15, 8 and 4 lpm flow rates, each with 11 flow selections
- Body is color coded to specific gas
- Available in US and ISO colors
- Available configurations for all common quick connect adapters or 1/8" NPT

Durable, anodized aluminum body construction, professional-grade flow cartridge and laser-etched knobs yield a rugged yet precise flowmeter designed to withstand years of hospital or rugged pre-hospital use.

Click-It flowmeters are made in the USA and come with a limited 5-year warranty.

Click-It™ Flowmeter

Positive-click dial
with 11 flow selections

All-brass flow cartridge
and metal adjustment knob
for extended product life

Color-coded anodized
aluminum housing
for maximum durability



SPECIFICATIONS

Nominal Inlet Pressure: 50 psi

Inlet Filter: 65 micron

Inlet Port: 1/8" NPT female or optional adapter (see below)

Outlet Flow Rates:

0-4 lpm model: 0.03, 0.06, 0.12, 0.25, 0.5, 0.75, 1.0, 1.5, 2.0, 3.0, 4.0

0-15 lpm model: 0.5, 1.0, 1.5, 2.0, 3.0, 4.0, 5.0, 6.0, 8.0, 10.0, 15.0

0-25 lpm model: 0.5, 1.0, 2.0, 3.0, 4.0, 5.0, 6.0, 8.0, 10.0, 15.0, 25.0

Gas Type: Oxygen and air models available.

Operating Temperature: -34°C to 51°C (-30°F to 125°F)

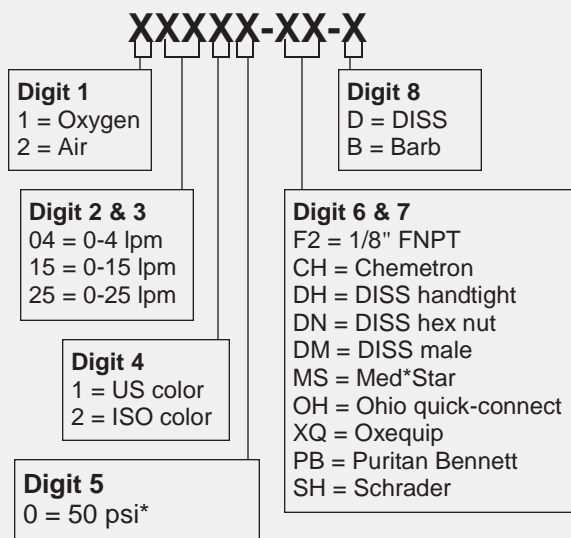
Storage Temperature: -40°C to 71°C (-40°F to 160°F)

Body Material: Anodized aluminum

Cartridge Material: Brass

Knob Material: Laser-engraved anodized aluminum

ORDERING INFORMATION



*ISO coloring and other inlet pressures available upon request



Allied Healthcare Products, Inc. ▪ 1720 Sublette Avenue ▪ St. Louis, MO 63110 USA
314/771-2400 ▪ 800/444-3954 ▪ FAX: 314/771-0650 ▪ www.alliedhpi.com

U.S.
Toll Free: 800/444-3940
FAX: 800/477-7701

Canada & Mexico
Toll Free: 800/446-0552
FAX: 800/246-6201

International
Telephone: 314/268-1683
FAX: 314/771-5183

ISO 13485: 2003

©Allied Healthcare Products, Inc.®

All specifications are nominal and
subject to change without notice.

Form 10-00-0103
Rev. June 2013